



**Shenzhen Hongfa Automatic Door Co., Ltd**

**深圳鸿发自动门有限公司**

**(High Speed Door Installation Manual)**

**(快速门操作手册)**

# Introduction

Thanks for purchasing our high speed shutter doors, thank you very much. This brochure describes in details: installation considerations, debug mode, various functions, partial, and troubleshooting methods to control use.

## Part 1:High Speed Door Installation Debugging

- 1、 Installation Tools**
- 2、 Basic Size**
- 3、 1 Checklist**
- 3、 2 Schematic Framework**
- 4、 Control Box Size**
- 5、 Checklist**
- 6、 1—7 Installation Order**
- 7、 Wiring Work**
- 8、 The main control box circuit wiring diagram**
- 9、 Control Box Introduction and commissioning**
- 10、 1-4Limit Switch Settings**
- 11、 Maintenance Description**
- 12、 Periodic Inspection**
- 13、 Routine Inspection**
- 14、 Product Warranty**

# 1、 Installation Considerations

1、 Please make sure the following matters before construction.

- 1、 At the installation site to confirm the size of the door openings
- 2、 At the installation site, please confirm the surrounding installation location, whether the obstacles, whether the wall in the same plane.

2、 Tools and materials required before construction ,please be sure you have the following tools:

NO.	Tools
1	3-10 Allen wrench
2	6mm Hammerhead
3	7.5m Steel tape
4	8-10 Wrench
5	8mm Hammerhead
6	14-17 Wrench
7	8 Wrench head
8	Angle grinder
9	Chain hoists
10	Drill

NO.	Tools
11	Hammer
12	Ø12*350 Long drill
13	F Clips
14	Hammer
15	Horizontal tube
16	Phillips screwdriver
17	Pliers
18	Rubber hammer
19	Hanging hammer
20	17-19 Casing wrenches
21	Flathead screwdriver

# Installation Tools:



3-10 Allen wrench



6mm Hammerhead



7.5m Steel tape



8-10 Wrench



8 mm Hammerhead



14-17 Wrench



8mm Wrench head



Angle grinder



Chain hoists



Drill



Hammer



Φ12\*350 Long drill



F Clips



Hammer



Horizontal tube



Phillips screwdriver



Pliers



Rubber hammer



Hanging hammer



17-19Casing wrenches

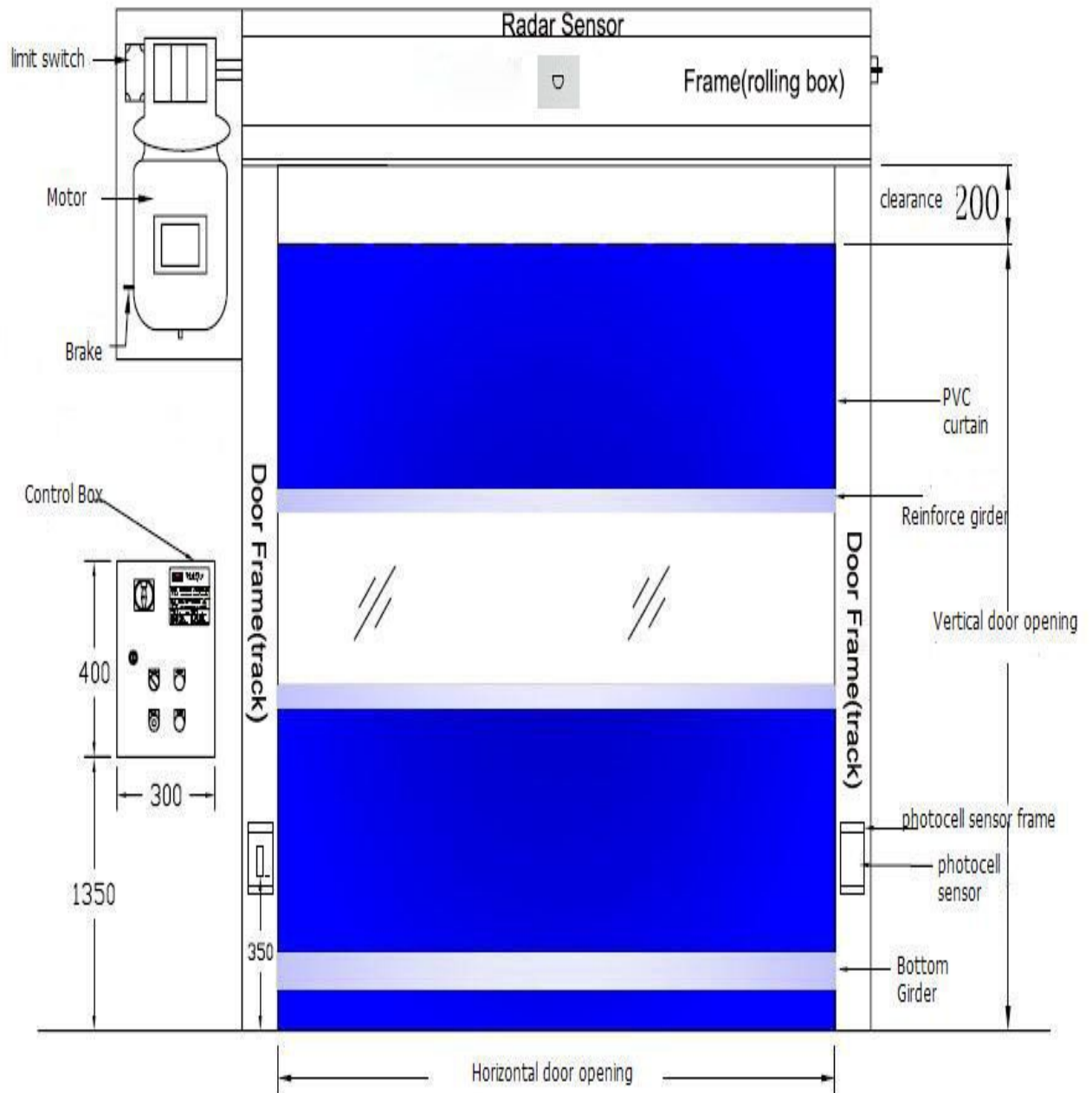


Flathead screwdriver

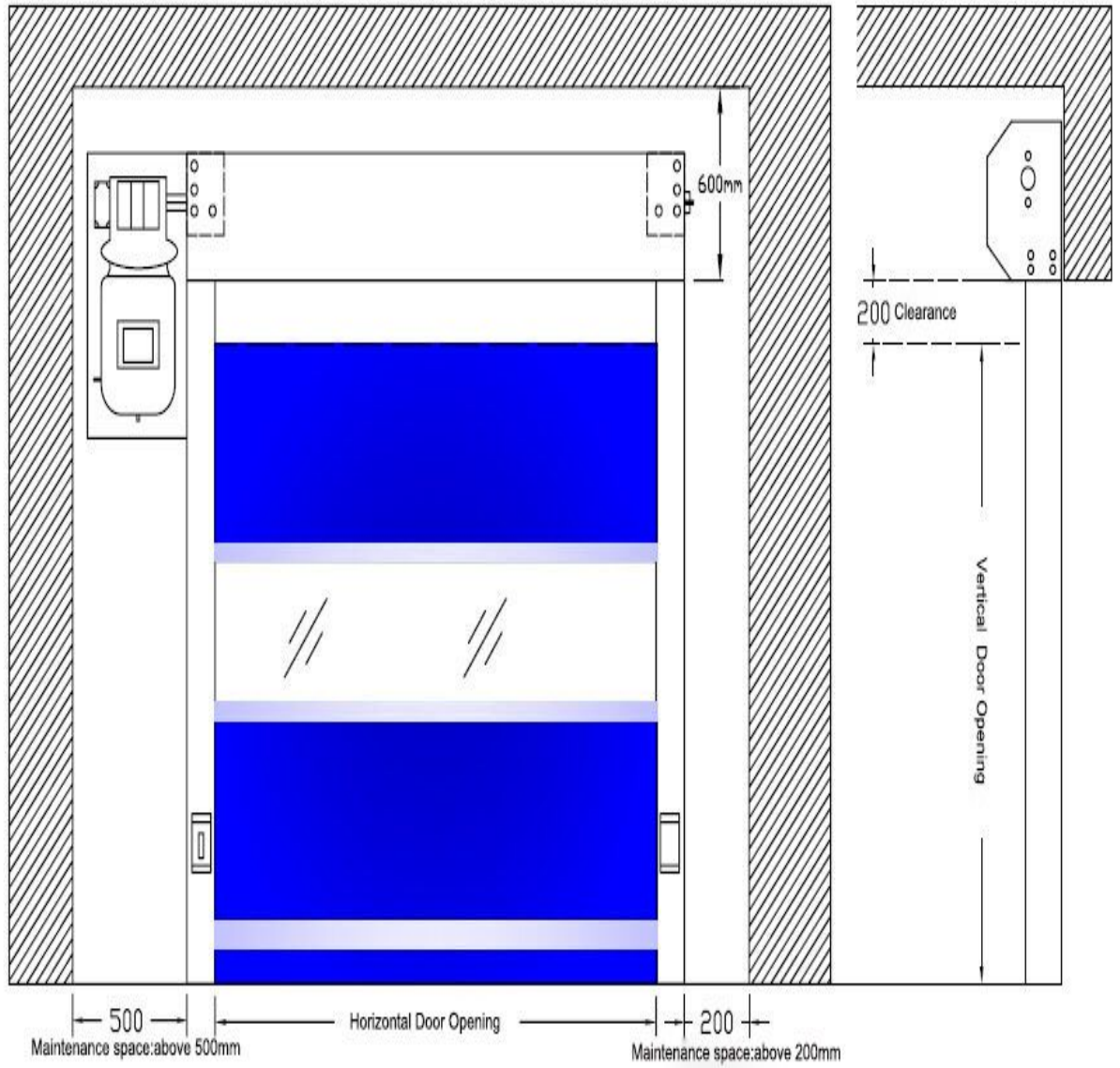
## 2、 Basic Size

### HF800 Installation Diagram

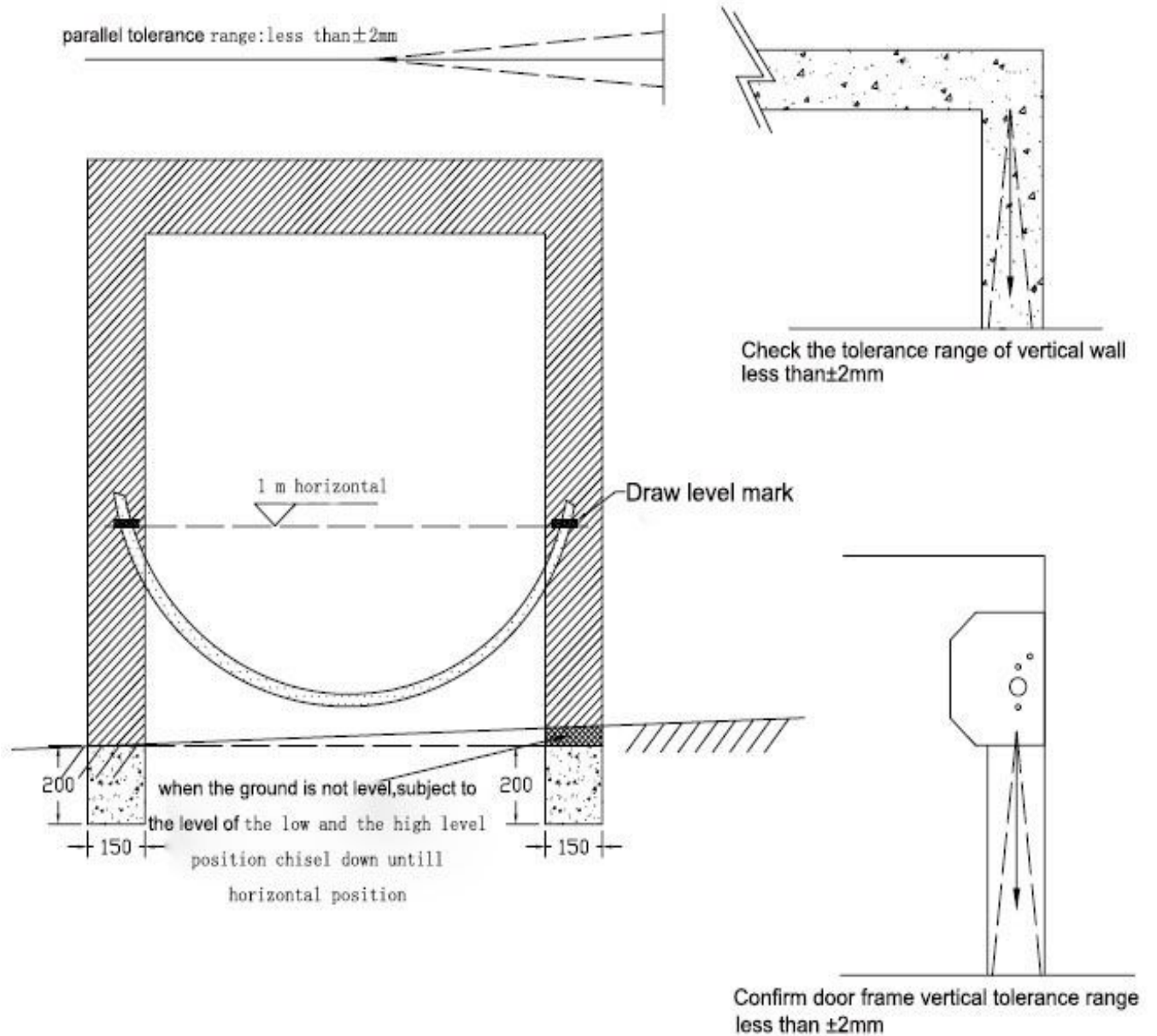
Unit:MM



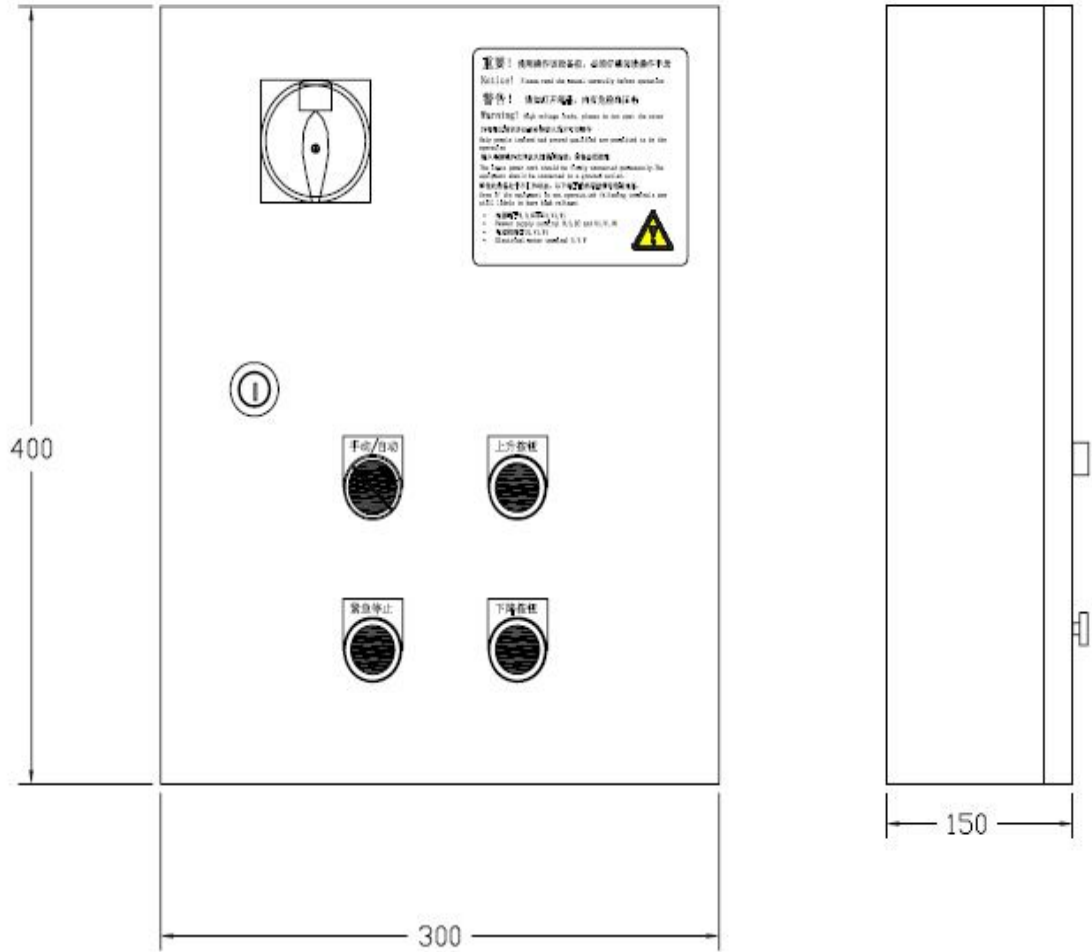
### 3.1、Checklist



## 3.2、Schematic Framework

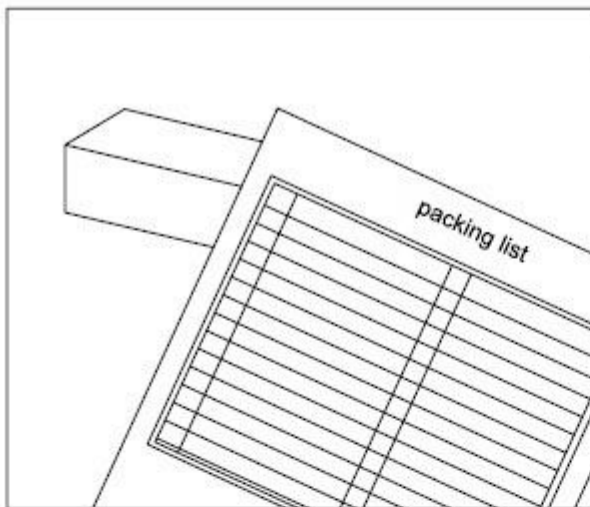


# 4、Control Box Size

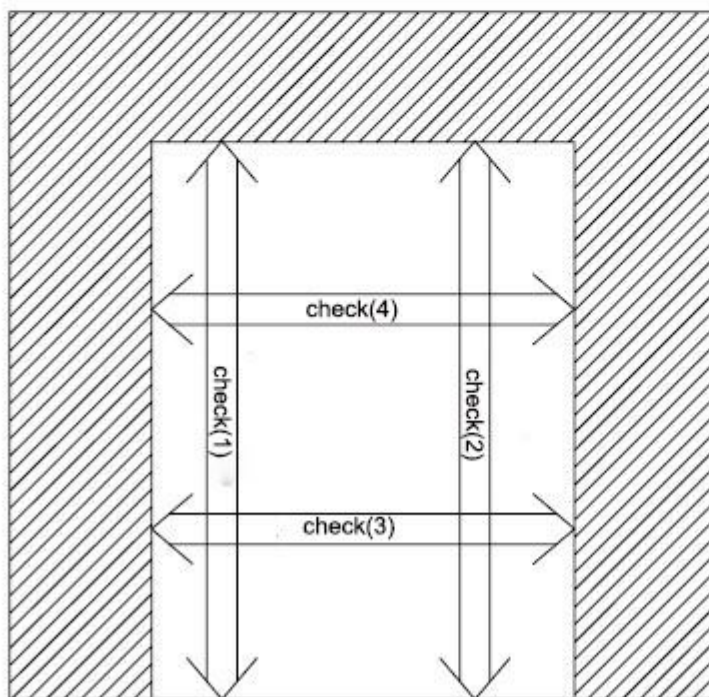




## 5、Checklis



1,Make sure the accessories according to the packing list

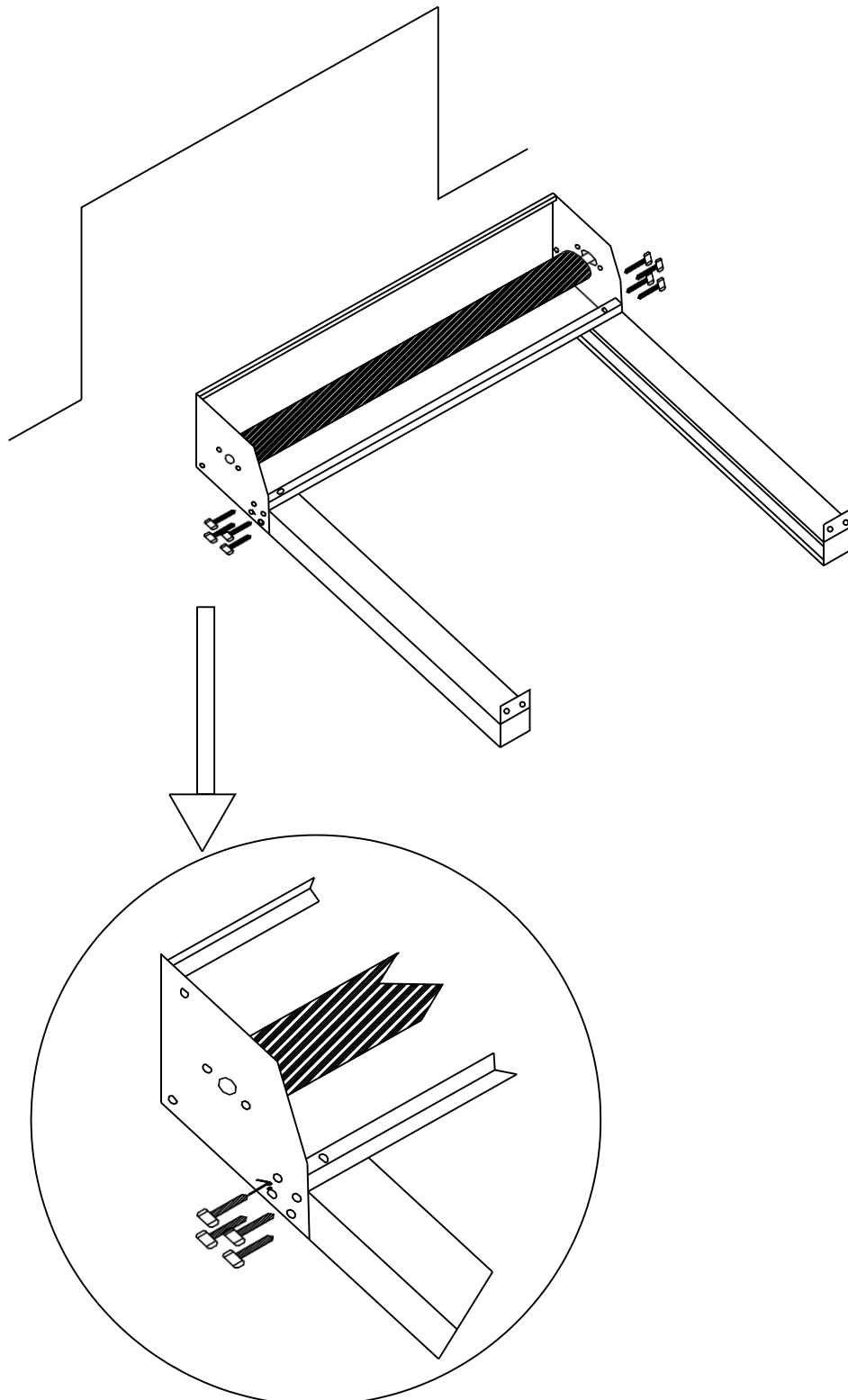


Basic frame opening width, height dimensions confirm: When installing the base frame, must be as on the left picture shown , confirm frame opening width ,the height measurement

## 6.1、 Installation Order

### Door frame assembly

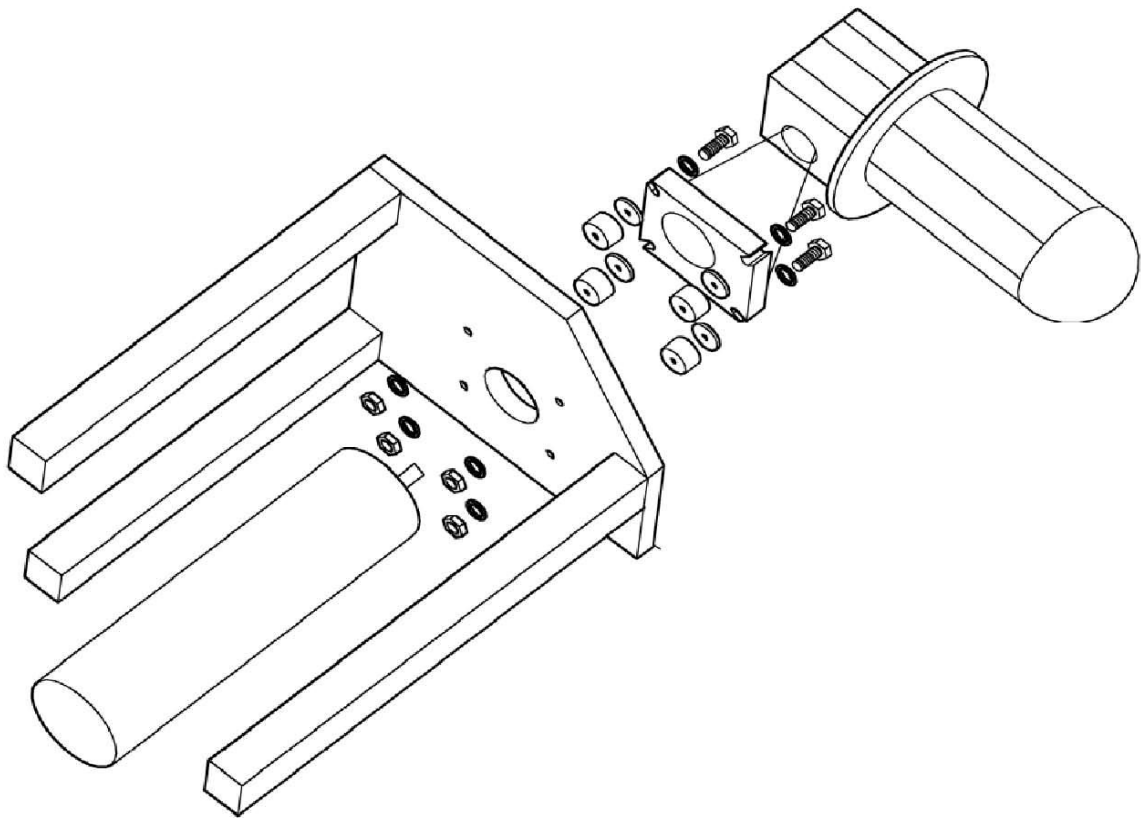
- 1) place the door head in front of door opening.
- 2) fix the door frame in the door head



## 6.1、 Installation Order

Installation motor:

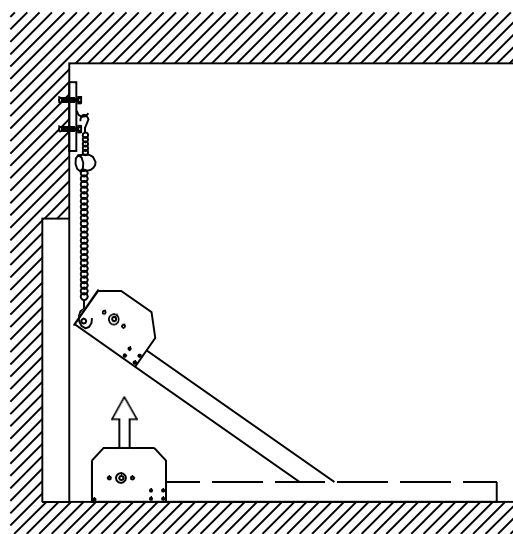
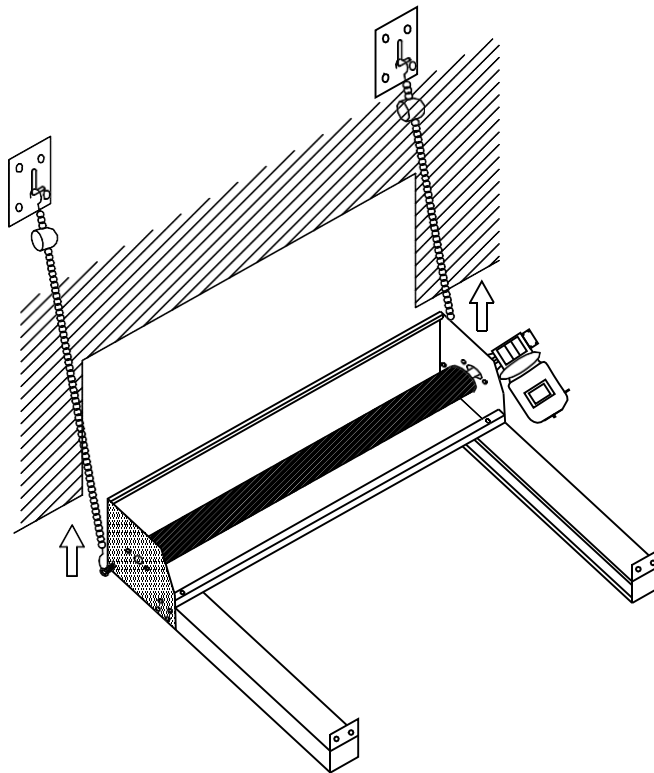
- 1), The motor is fixed to the door shaft head screws should pay attention to the pad can not be on too tight, standard pad can be pressed onto the gasket;
- 2) to tighten the motor side of the fixed iron stroke, so fixed iron pressing the trip switch.



## 6.3、 Installation Order

### Set up the doors

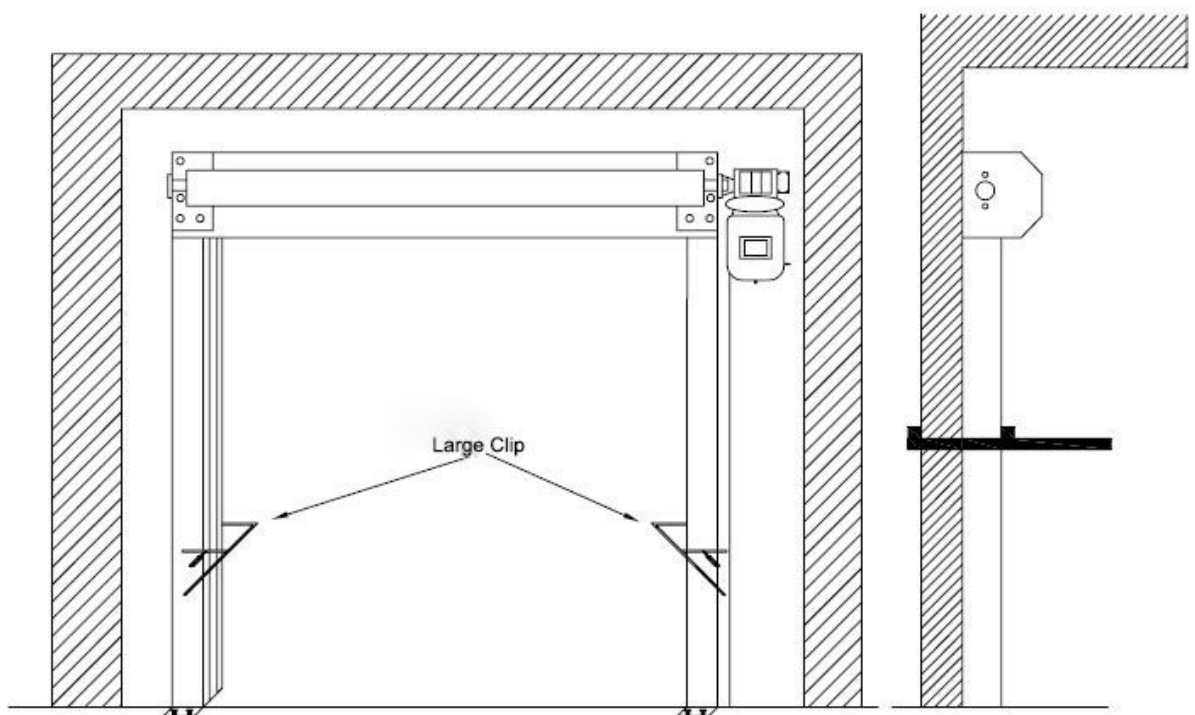
- 1), the rings on the two-door fixed to the side plates;
- 2), the two manual hoist hook to hang rings;
- 3), pull the door wall.



## 6.4、 Installation Order

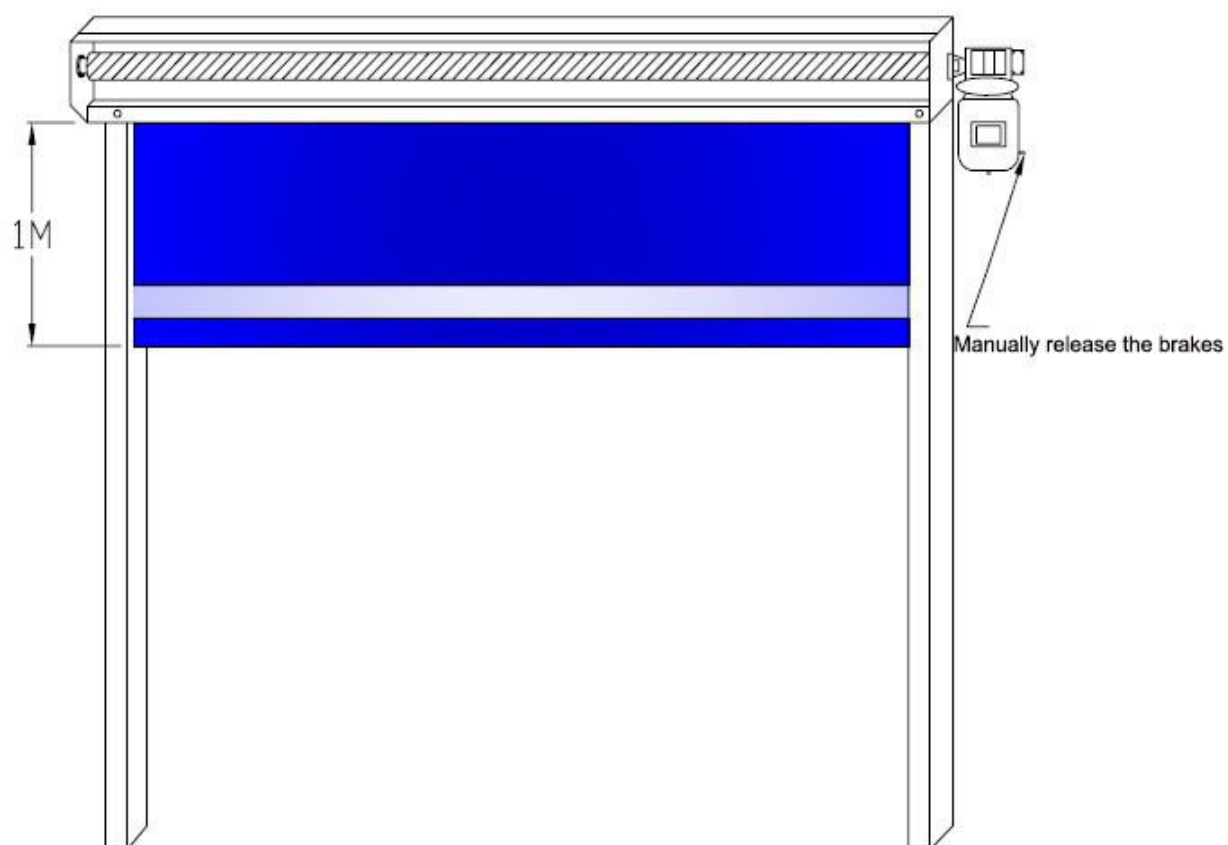
### Fixed door:

- 1) Check the door with the same side of the two-door distance is equal, and again with the spirit level first level of proof door;
- 2), with a large clip to clamp the door frame and the wall;
- 3), with expansion screws fixing the door head and the wall;
- 4), with a spirit level to check the vertically of the door frame, then the door frame expansion screws;
- 5), fixed the motor box, install the door switch button.



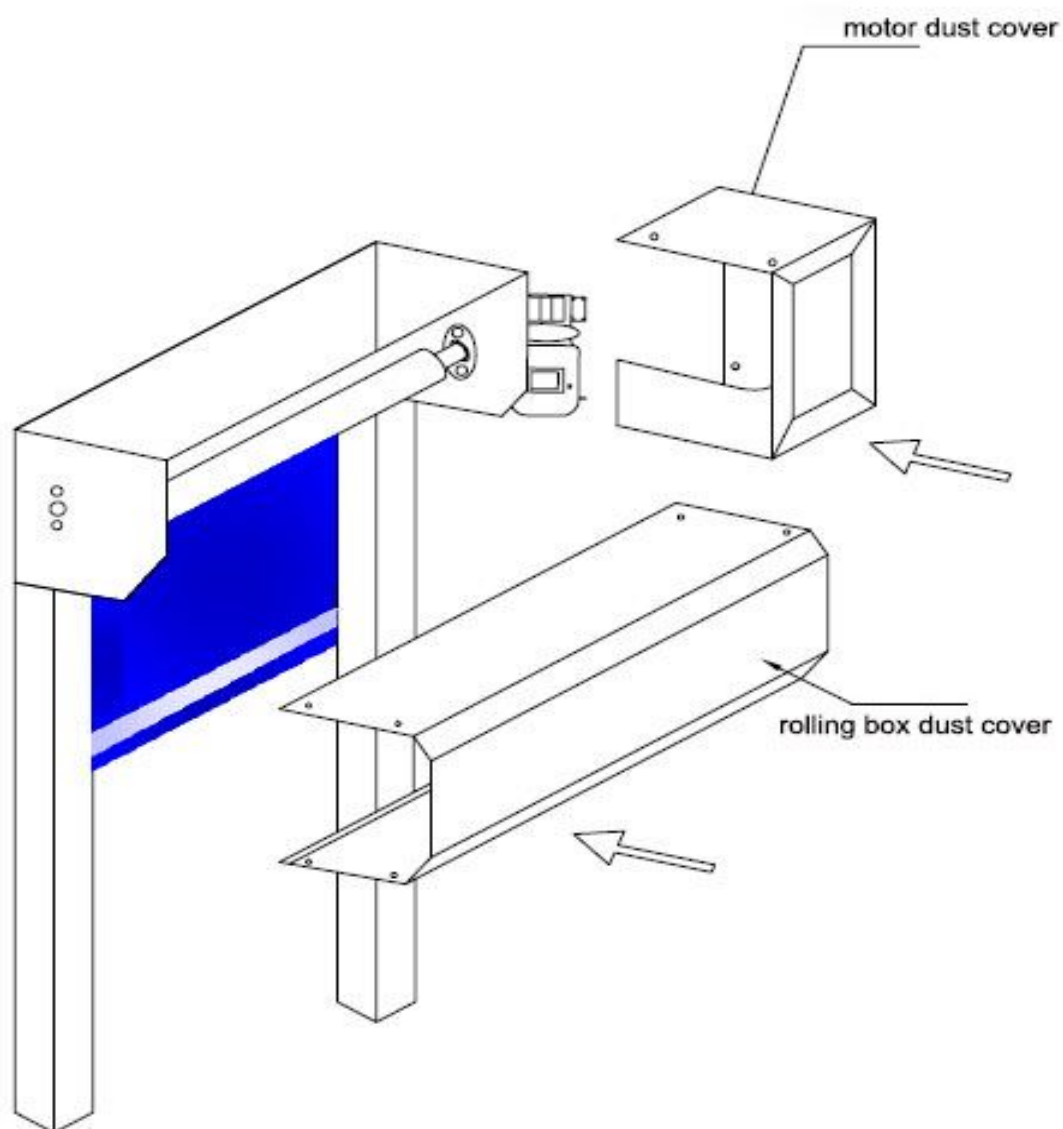
## 6.5、 Installation Order

Put cloth door: manual brake release, the door cloth on the top 1 meter away from the door, when the door to prevent the transfer limit phenomenon appears hoisting



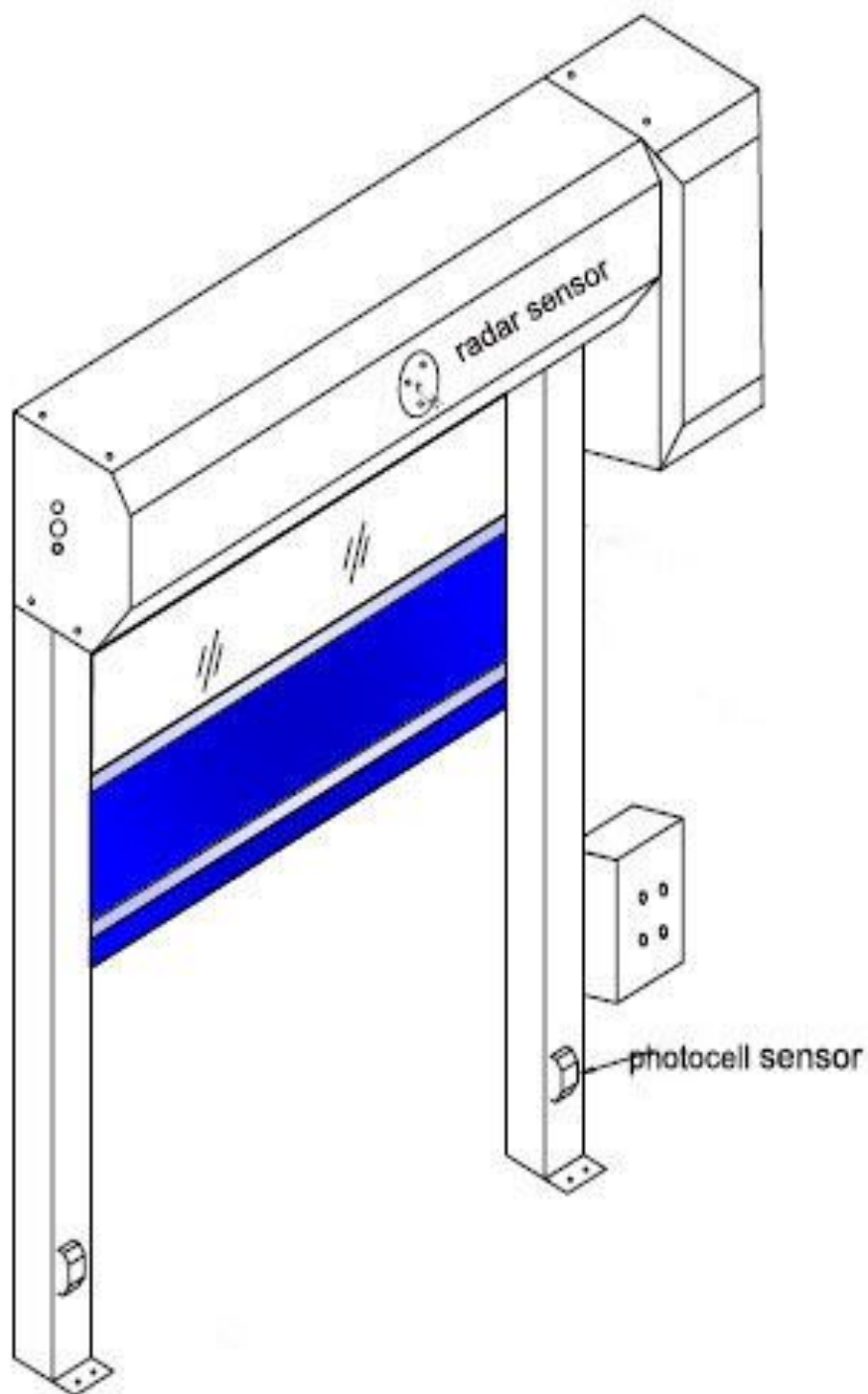
## 6.6、 Installation Order

Install dust cover (after control box commissioning, then install)



## 6.7、 Installation Order

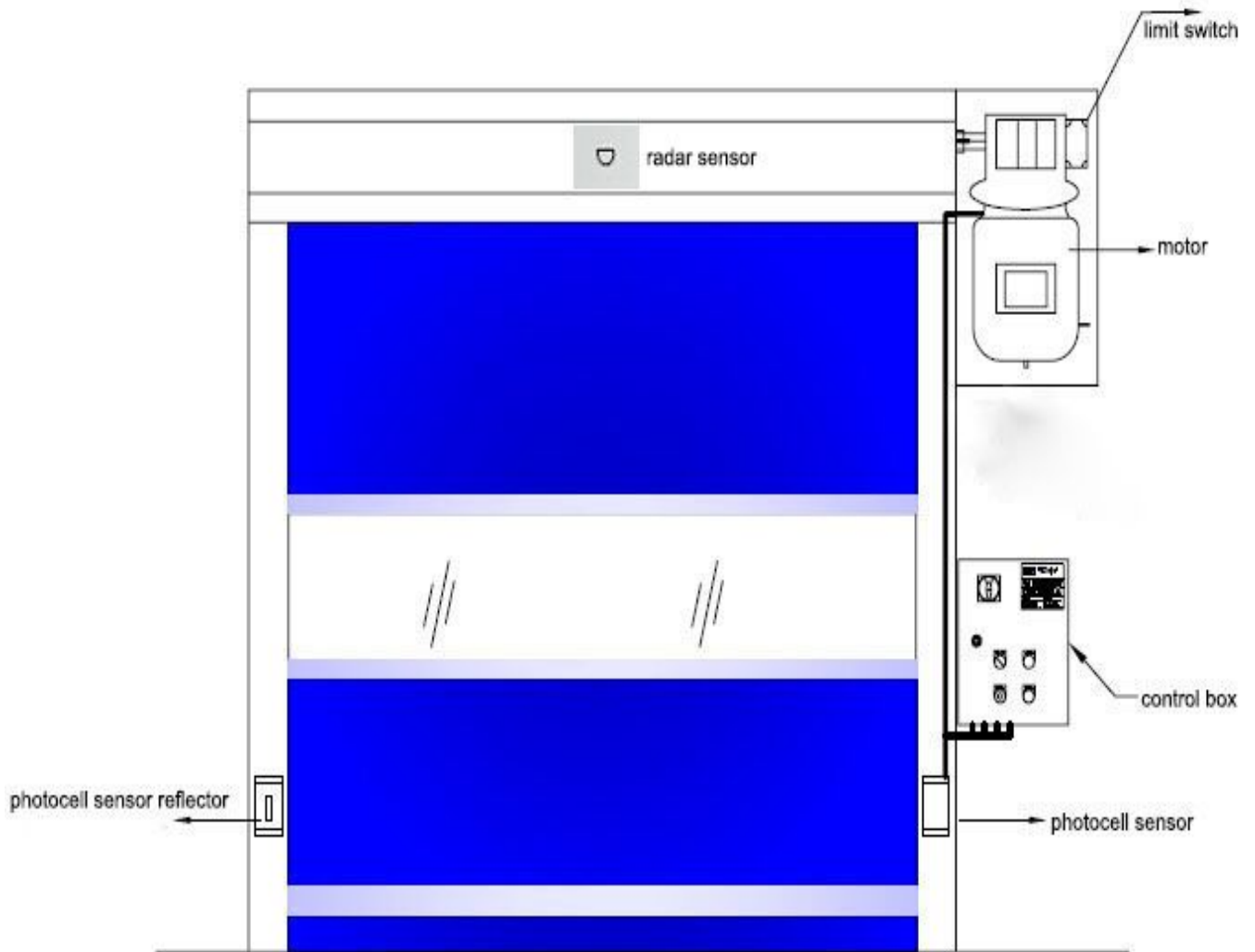
Install radar sensor ,photocell sensor



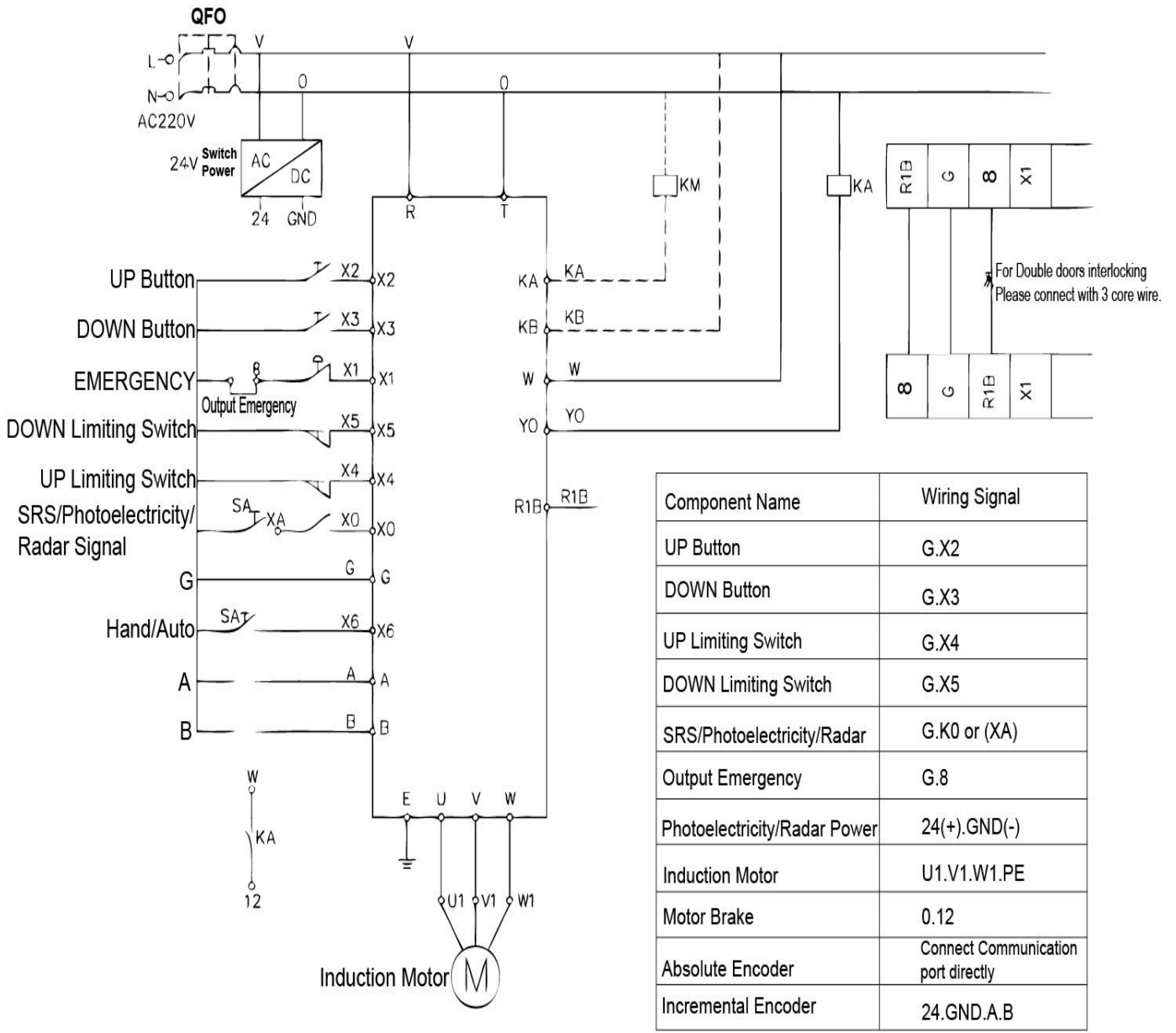


## 7、Wiring Work

Motor, limit switch , photocell sensor, radar sensor and control box



# 8、 The main control box circuit wiring diagram



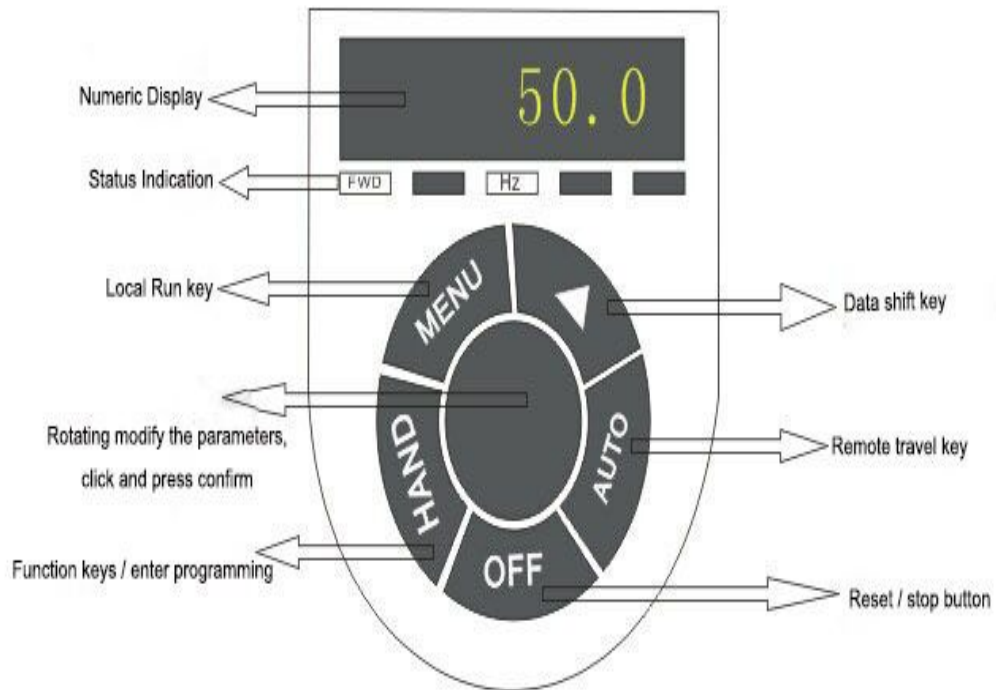
**Switch wired out box**



**Switch wired in box**

## 9、 Control Box Introduction and commissioning

### 1. Keyboard Panel Operation

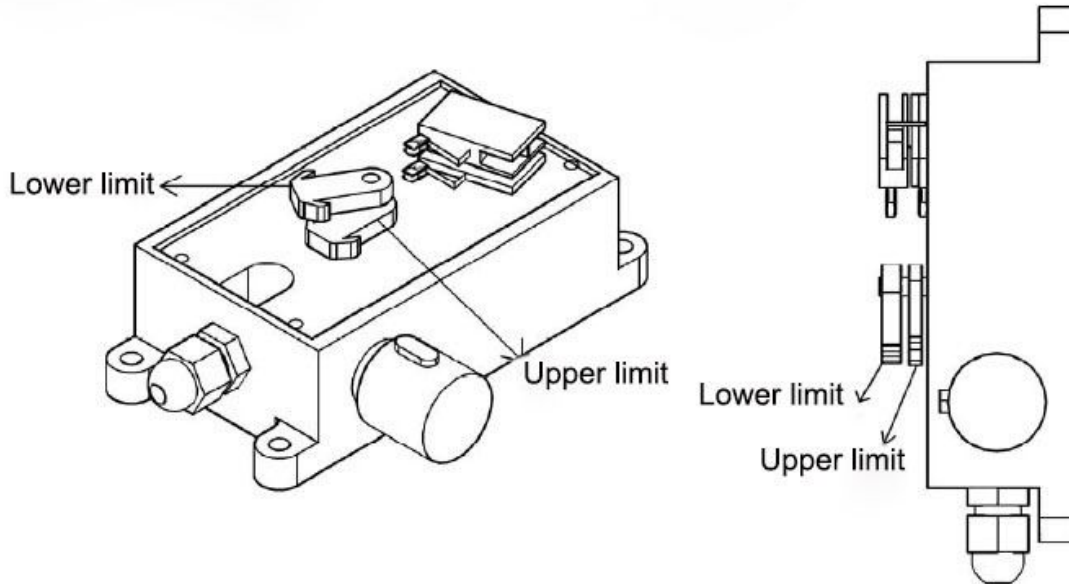


NOTE: For specific information,  
please refer to the instructions

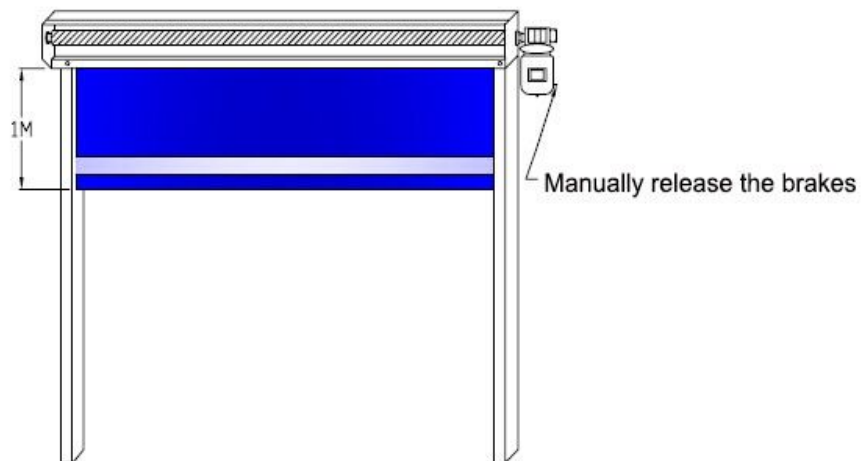
The factory setting is best not to change

## 10-1、 Limit Switch Settings

1. Use a screwdriver to loosen the limit switch, as shown below



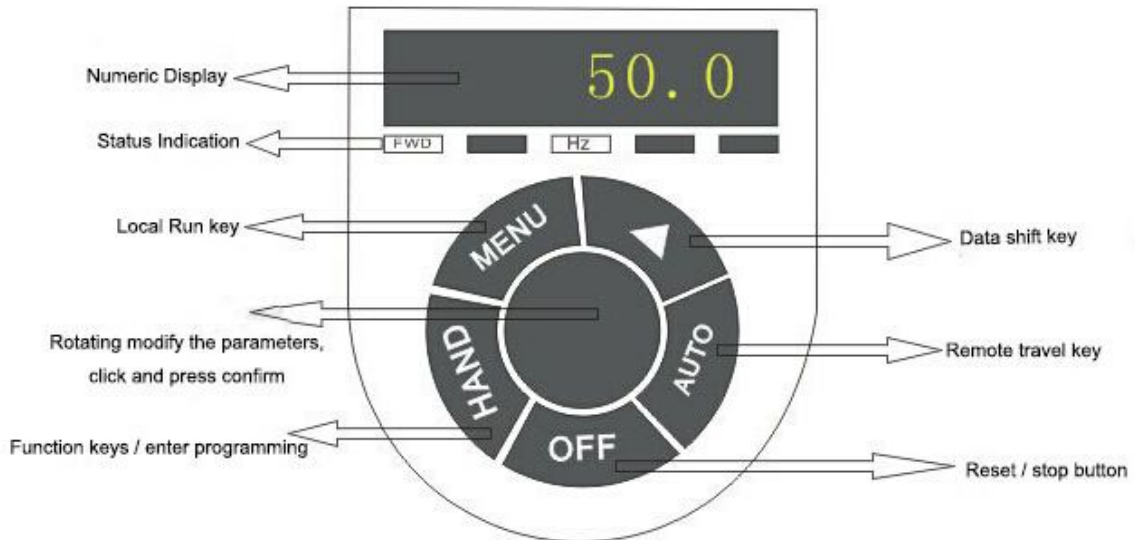
2, pulled down manually release the brake, put the door cloth about one meter into the door frame position, as shown below:



## 10-2、 Limit Switch Settings

3, the control box panel switch rotate to "hand" button, as shown below:

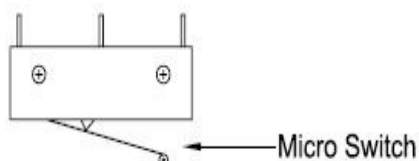
### 1. Keyboard Panel Operation



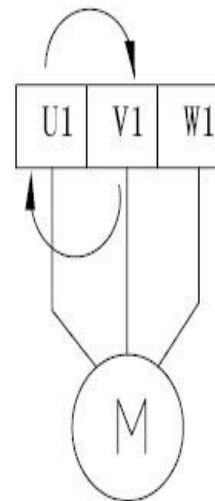
NOTE: For specific information, please refer to the instructions

The factory setting is best not to change

4、 Loosen the stroke of the lower keys, press the control box "down" button (if the door is rotated in reverse, you should let the electronic control box wiring position U1 and V1 interchangeable, as shown below:

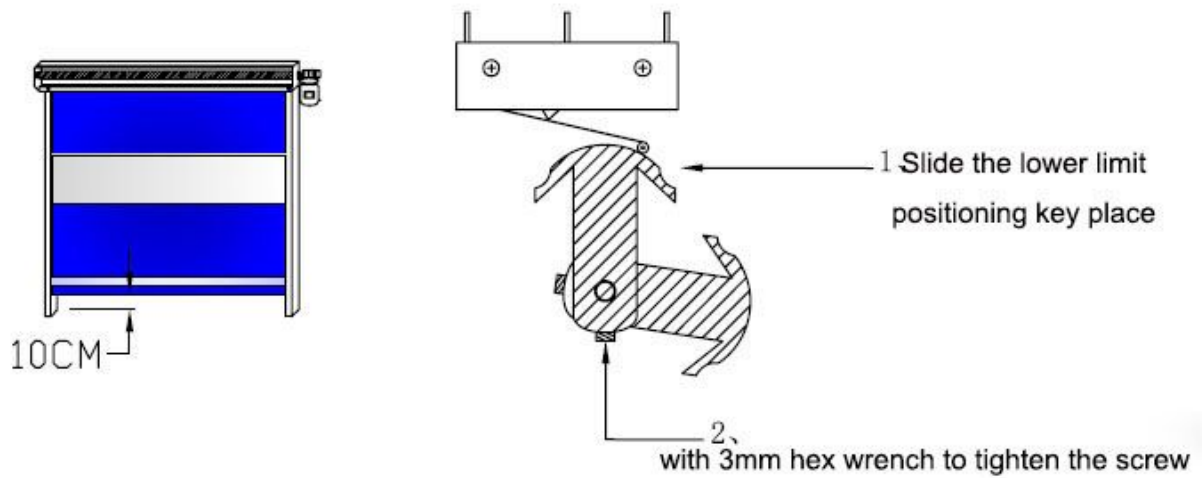


Tools (within 3mm Allen key) Unscrew the lower limit positioning key left micro switch

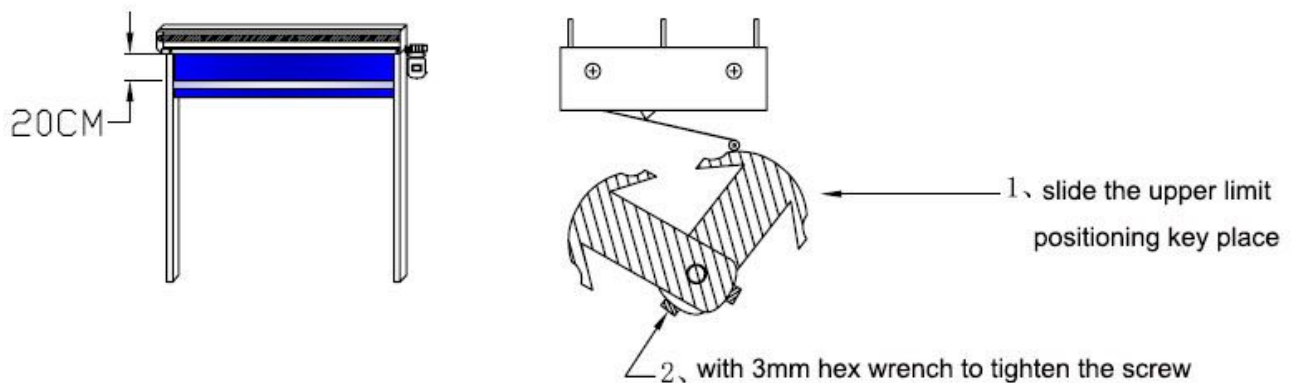


## 10-3、 Limit Switch Settings

5, When the door down to 10cm from the ground, press the control box red "stop" button door stop; positioning key to toggle the direction of the door fell to micro-switch (micro-switches have to hear the sound of date), with 3mm hex wrench to tighten the screw positioning key, as shown below:



6, Clockwise rotation release the "stop" button, press the control box "up key", the highest position when the door is away from the openings at approximately 20cm, press the red "emergency stop" button stops the door to door pulling the upper limit rise direction positioning key (to hear sound micro-switches date), with 3mm hex wrench to tighten the screw positioning key, as shown below:



## 11、Maintenance Description

NO.	Fault Character	Fault Reason	Troubleshooting
1	The door can not rise or fall	Power cut	After power supply ,the power indicator light
		Emergency disconnection or inverter failure	After releasing the emergency stop switch or disconnect the power reset
		Gate crash protection	Please check whether the lines are disconnected
		Motor brake can not be opened	Check the box in the middle the relay if damaged, replace
2	the door continue falling off when have objects under the door	Safety photocells failure	<ol style="list-style-type: none"> <li>1. Check IR LED protection</li> <li>2. With a clean cloth to wipe photocell sensor switch and reflectors</li> </ol>
3	the door cannot drop down	Radar (optional) detects the person or Objects have signals, radar failure, geomagnetic controller (optional), infrared protection role	Check radar sensor, magnetic controller, infrared protection
4	Curtain dislocation	the bottom of the curtain dislocation	Check the Locator whether loose

Remark: Above fails, how to troubleshoot and precautions ,please email or call us for troubleshooting .  
 EMAIL:ellen@hongfadoor.com

## 12、 Periodic Inspection

As the shutter doors and other related transmission components have a certain life, with the increase in the use of time would have a wear and other related components.

To enable products to long-term normal use, we recommend regular maintenance contract signed by both parties, so that the product for regular inspection, maintenance, so that products will always be in good operating condition.

## 13、 Routine Inspection

### Before the product opened

- Are there any obstacles near the chute
- When the curtain closed, if there is an object close to the curtain
- curtain transparency is good, there is no dirt

### When the product used

- whether there is abnormal sound
- When the curtain moves, press the "stop" button, the curtain is stopped
- whether to stop the curtain has been set, the lower limit position
- The sensor is sensing

## 14、 Product Warranty

### Warranty Conditions

- Base on normal use during the warranty period the products manual for a free service.
- Due to improper use ,improper maintenance ,improper due do air in the environment( for example:mist,magnetic ,dust,etc.).Due to the unpredictability of disasters caused damage to the product and the appropriate parts and service charges .